

PA-15 Data Sheet



Contents

Specifications	2
Dimensions	3
Speed/Current vs Load	4
Connectors	5
Mounting Brackets	6
Internal Components	7
Internal Descriptions	8

Specifications



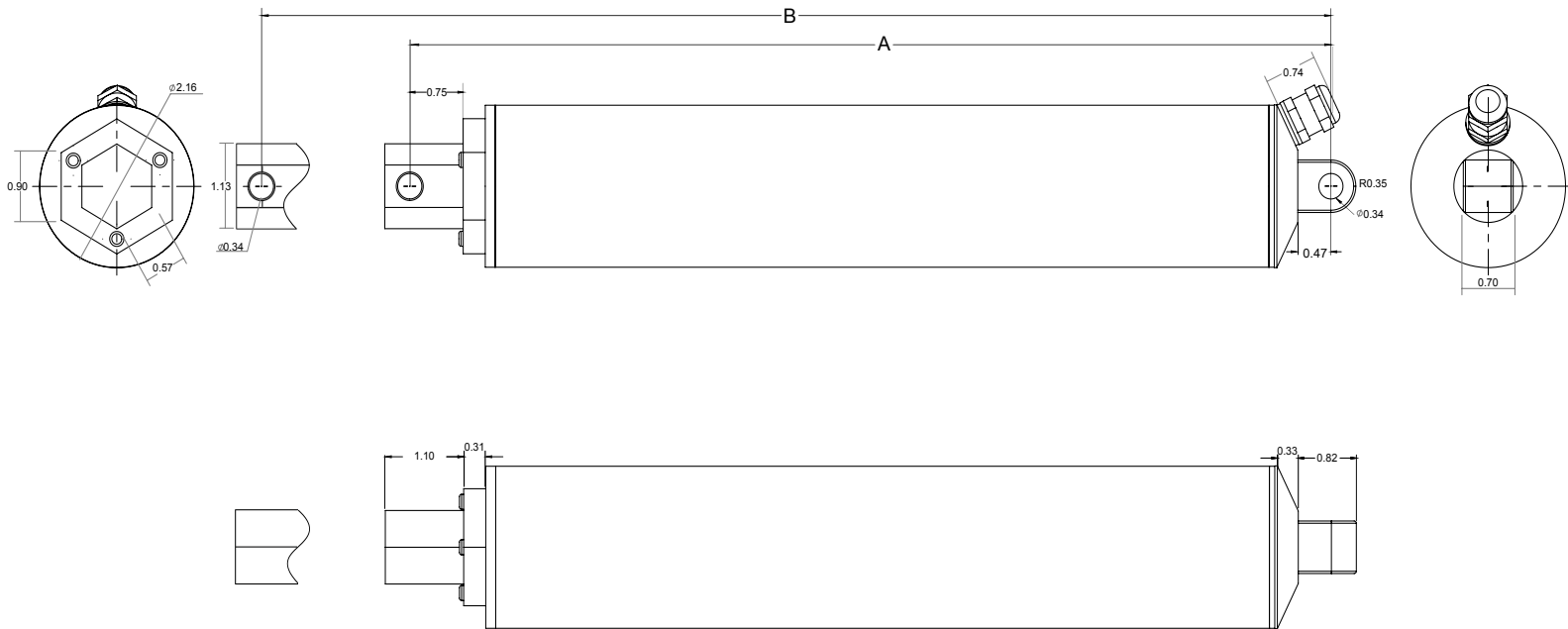
Load (LBS)		No Load Current (A)				Full Load Current (A)				Speed (inch/sec)	
Dynamic	Static	12VDC	24VDC	36VDC	48VDC	12VDC	24VDC	36VDC	48VDC	No Load	Full Load
11	11	2.0	1.0	0.7	0.5	9.0	4.5	3.0	2.3	9.05	4.70
22	22	2.0	1.0	0.7	0.5	9.0	4.5	3.0	2.3	5.50	4.00
33	33	2.0	1.0	0.7	0.5	9.0	4.5	3.0	2.3	3.20	2.00

Stroke	1" to 30"
Limit Switch	Internal - Non-Adjustable
Limit Switch Feedback	N/A
Screw Type	ACME Screw
Motor Type	Brushed DC Motor
Connector Type	See Page 5
Wire Length	40" (customizable)
Housing Material	Aluminum Alloy
Rod Material	Aluminum Alloy
Gear Material	Powder Metallurgy Steel Alloy
Color (Shaft)	Silver
Color (Motor End)	Silver
Noise	<45dB
Duty Cycle	20% (4 minutes on, 16 minutes off)
Operational Temperature	-25°C to 65°C (-13°F to 149°F)
Protection Class	IP54
Feedback Options	N/A
Certifications	CE/RoHS
Mounting Brackets	See Page 6
Mounting Ends	Standard, Non-Customizable



Dimensions

(Dimensions in inches)



Hole to Hole

PA-15	Stroke	1	2	3	4	6	8	9	10	12	14	16	18	20	22	24	30
	A	9.93	10.93	11.93	12.93	14.93	16.93	17.93	18.93	20.93	22.93	24.93	26.93	28.93	30.93	32.93	38.93
B	10.93	12.93	14.93	16.93	20.93	24.93	26.93	28.93	32.93	36.93	40.93	44.93	48.93	52.93	56.93	68.93	

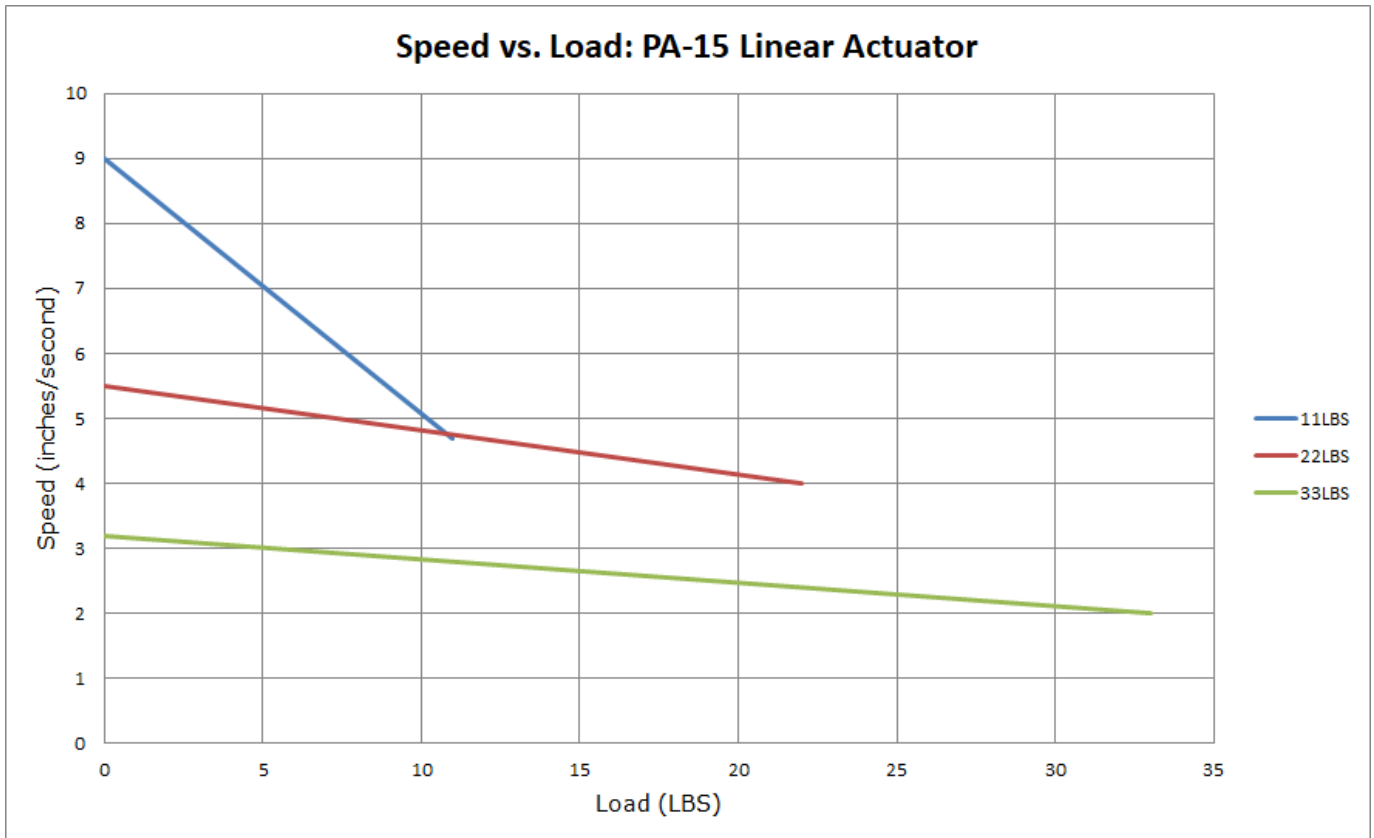
For Stroke Length

A = Stroke Length + 8.93"

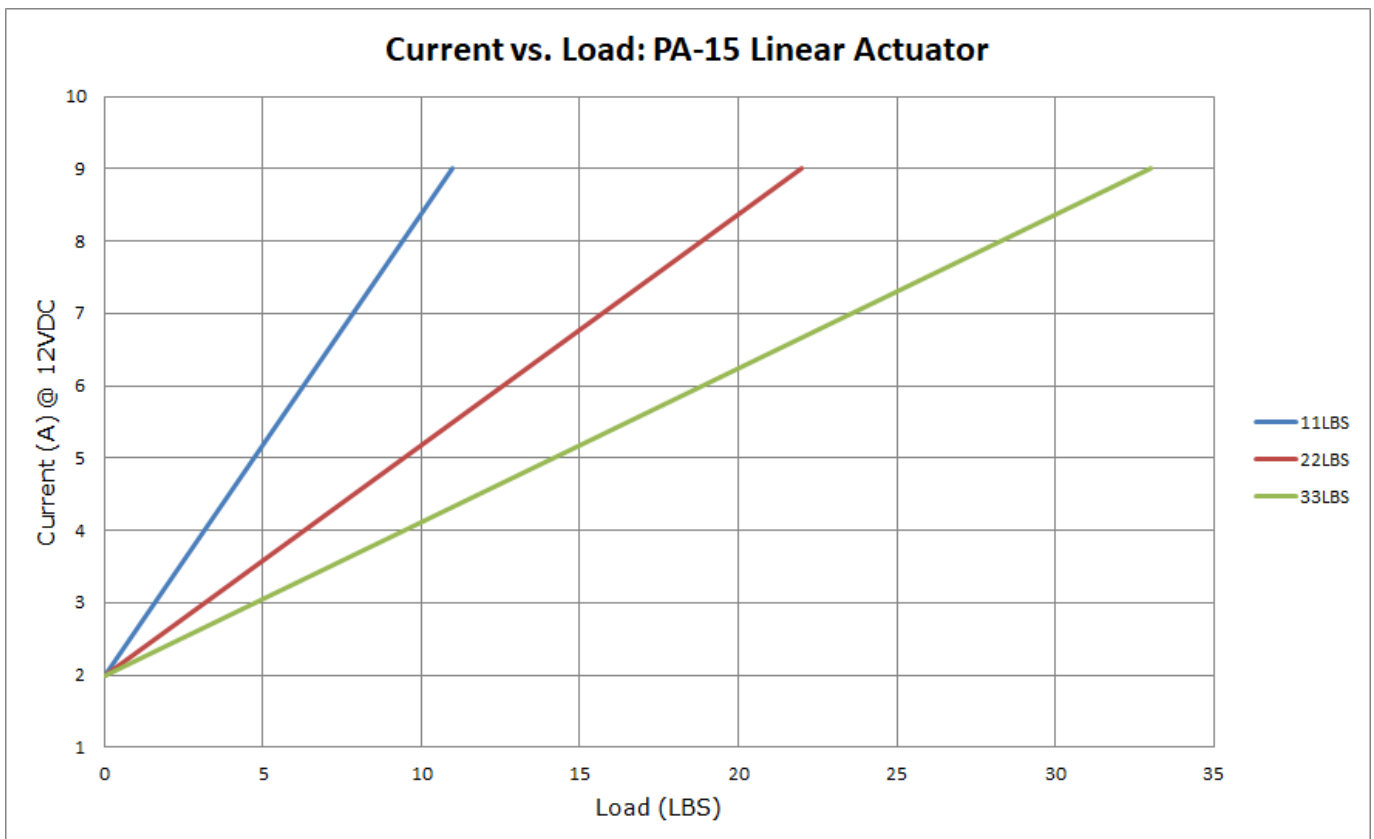
B = Stroke Length x 2 + 8.93"



Speed vs Load

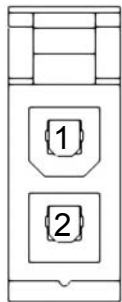


Current vs Load





2-Pin Connector (Standard)



Motor	
1	2
M-	M+

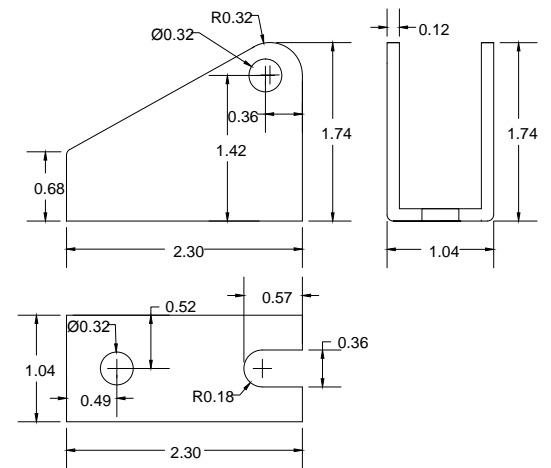
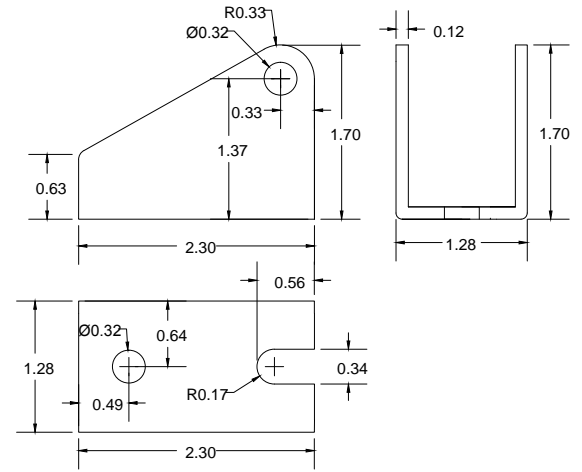
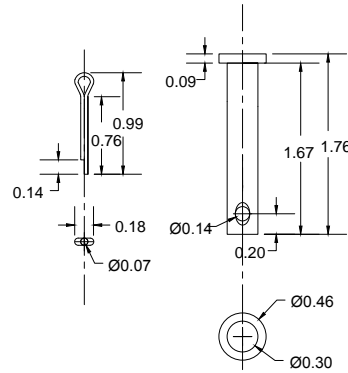
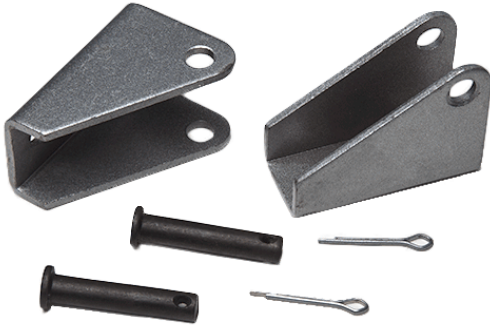
Component	Part Name	Part Number	Mating Part Number
Housing	Molex Mini Fit Jr 2-Pin Receptacle	39-01-2025	39-01-2029 /39-01-2026



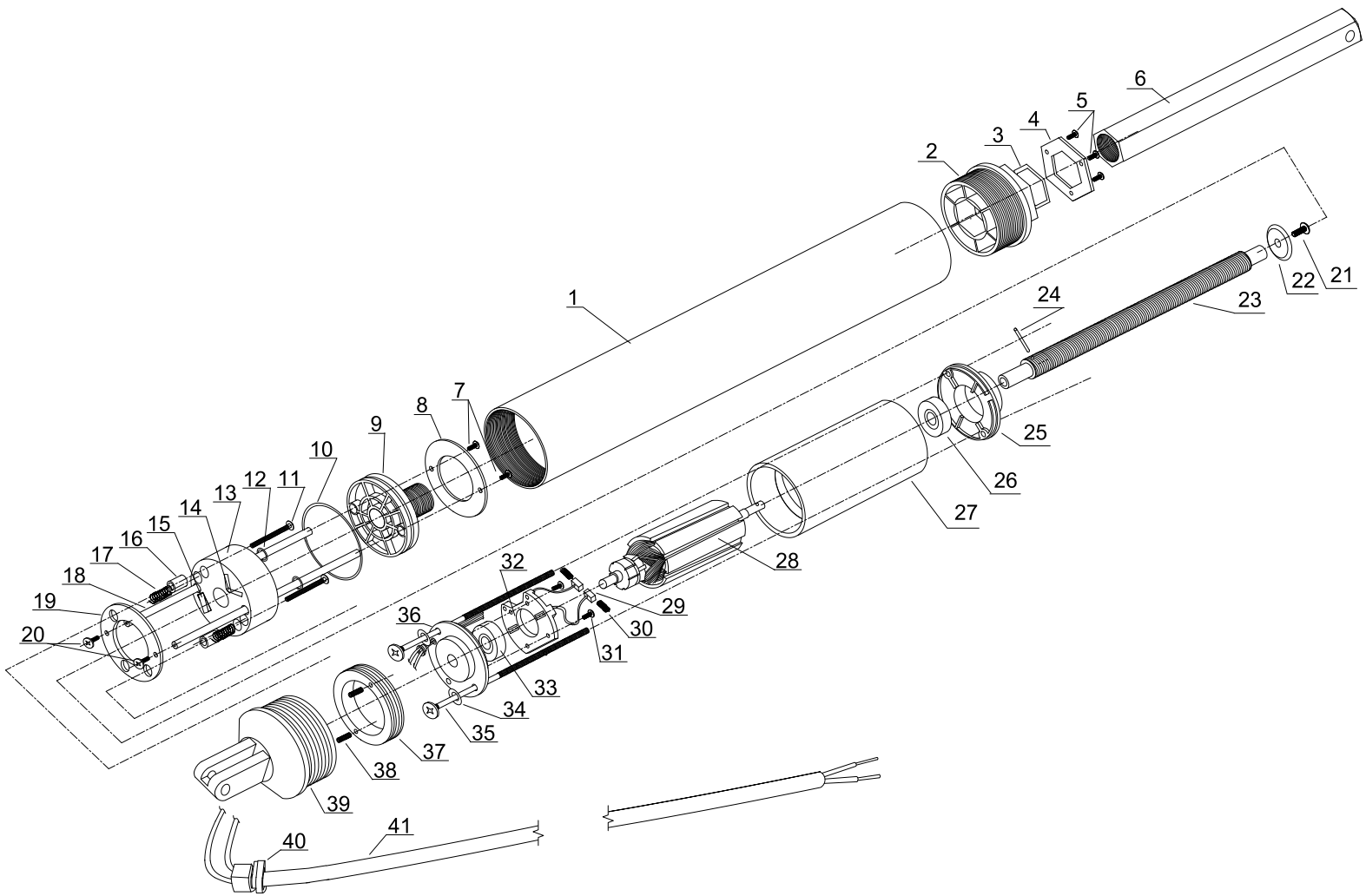
Mounting Brackets

(Dimensions in inches)

BRK-15



Internal Components



Internal Descriptions



Item	Description	Qty
1	Actuator Case	1
2	Case Top Cap	1
3	Shaft O-Ring	1
4	O-Ring Holder	1
5	O-Ring Holder Screws	3
6	Shaft With Mounting Hole	1
7	Shaft Base Top Screws	2
8	Shaft Guide Top Support	1
9	Shaft Base	1
10	Shaft Base O-Ring	1
11	Limit Switch Base Screw	2
12	Shaft Guide O-Ring	2
13	Limit Switch Base	1
14	Diode	2
15	Limit Switch	2
16	Limit Switch Base Spacer	2
17	Limit Switch Base Spring	2
18	Shaft Base Guide	2
19	Shaft Guide Bottom Support	1
20	Shaft Guide Screw	2
21	Shaft Stopper Screw	1

Item	Description	Qty
22	Shaft Stopper	1
23	Treaded Shaft Drive	1
24	Shaft Drive Pin	1
25	Motor Top Cap	1
26	Motor Top Bearing	1
27	Electric Motor Enclosure with Stator	1
28	Electric Motor Rotor	1
29	Electric Motor Brush	2
30	Electric Motor Brush Spring	2
31	Brush Holder PCB Screw	2
32	Brush Holder PCB	1
33	Motor Bottom Bearing	1
34	Motor Cap Screw Washer	2
35	Motor Cap Screw	2
36	Electric Motor Bottom Cap	1
37	Motor Support	1
38	Motor Support Locking Screw	2
39	Case Bottom Cap With Mounting Hole	1
40	Power Cable Lock	1
41	Power Cable	1